



BTF 140 - 400W

BTF 140v, BTF 140vs, BTF 140vs RK,

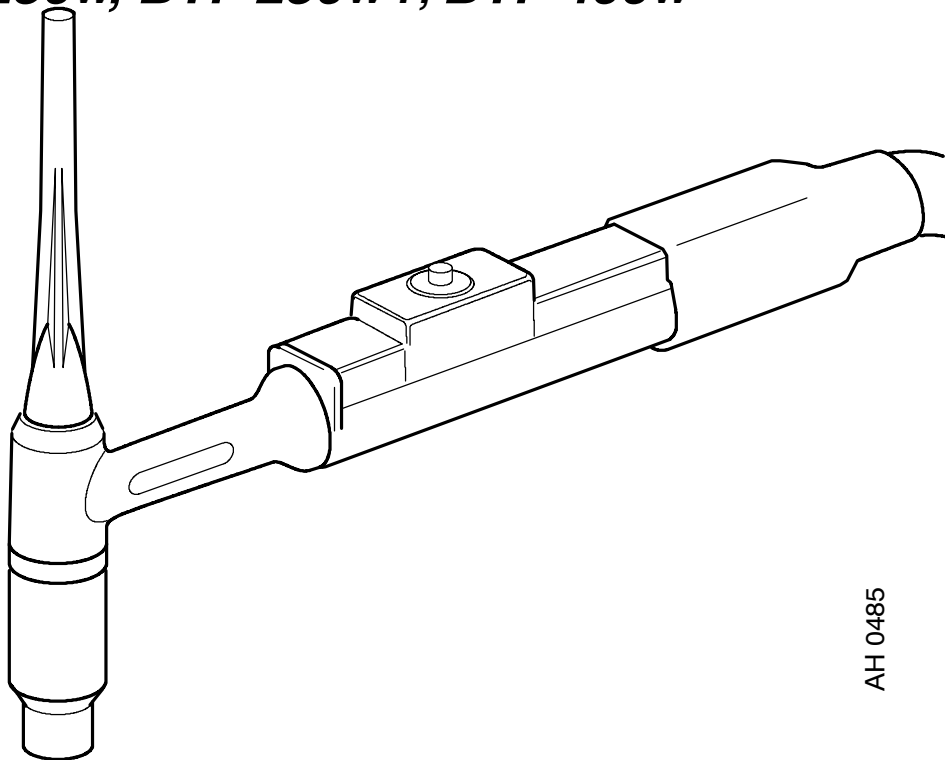
BTF 150, BTF 150v, BTF 150F

BTF 150 OKC25, BTF 150 OKC25C,

BTF 200, BTF 200v, BTF 200vs RK,

BTF 200F, BTF 200 OKC25,

BTF 250w, BTF 250w F, BTF 400w



AH 0485

**Bruksanvisning
Brugsanvisning
Bruksanvisning
Käyttöohjeet
Instruction manual
Betriebsanweisung**

**Manuel d'instructions
Gebruiksaanwijzing
Instrucciones de uso
Istruzioni per l'uso
Manual de instruções
Οδηγίες χρήσεως**

BTF 140 - 400W

Beställningsnummer Bestillingsnummer Bestillingsnummer Tilausnume-
 ro Ordering number Bestellnummer Numéro de référence Bestelnummer
 Referencia de pedido No. di codice Números de referência Αριθμός
 παραγγελίας

Ordering no.	Type	Gas cooled torch						Water cooled torch					
		OKC-connection		Central connection		Flow control valve	Flow control valve with switch	Flexible head	OKC-connection		Central connection		
		4 m	8 m	4 m	8 m				4 m	8 m	4 m	8 m	
0458 217 880	BTF 140 V	X				X							
0458 217 881	BTF 140 V		X			X							
0458 217 882	BTF 140 VS	X					X						
0458 217 883	BTF 140 VS		X				X						
0458 217 888	BTF 140 VS RK	X					X						
0458 218 882	BTF 150	X											
0458 218 881	BTF 150			X									
0458 218 883	BTF 150				X								
0458 218 884	BTF 150		X										
0458 218 890	BTF 150 OKC25	X											
0458 218 891	BTF 150 OKC25		X										
0458 218 895	BTF 150 OKC25C		X										
0458 217 884	BTF 150 V	X				X							
0458 217 885	BTF 150 V		X			X							
0458 216 880	BTF 150 F			X				X					
0458 216 881	BTF 150 F	X						X					
0458 216 882	BTF 150 F				X			X					
0458 216 883	BTF 150 F		X					X					

Spare parts are to be ordered through the nearest ESAB agency as per the list on the back of the cover. Kindly indicate type of unit, serial number, denominations and ordering numbers according to the spare parts list.

Maintenance and repair work should be performed by an experienced person, and electrical work only by a trained electrician. Use only recommended spare parts.

BTF 140 - 400W

Beställningsnummer Bestillingsnummer Bestillingsnummer Tilausnume-
 ro Ordering number Bestellnummer Numéro de référence Bestelnummer
 Referencia de pedido No. di codice Números de referência Αριθμός
 παραγγελίας

Ordering no.	Type	Gas cooled torch						Water cooled torch				
		OKC-connection		Central connection		Flow control valve	Flow control valve with switch	Flexible head	OKC-connection		Central connection	
		4 m	8 m	4 m	8 m				4 m	8 m	4 m	8 m
0458 218 885	BTF 200			X								
0458 218 886	BTF 200	X										
0458 218 887	BTF 200				X							
0458 218 888	BTF 200		X									
0458 218 896	BTF 200 OKC25	X										
0458 217 886	BTF 200V	X				X						
0458 217 887	BTF 200V		X			X						
0458 217 889	BTF 200VS RK	X				X						
0458 216 884	BTF 200F			X				X				
0458 216 885	BTF 200F	X						X				
0458 216 886	BTF 200F				X			X				
0458 216 887	BTF 200F		X					X				
0457 827 884	BTF 250W										X	
0457 827 880	BTF 250W								X			
0457 827 885	BTF 250W											X
0457 827 881	BTF 250W									X		
0457 827 886	BTF 400W										X	
0457 827 882	BTF 400W								X			
0457 827 887	BTF 400W											X
0457 827 883	BTF 400W									X		
0457 827 888	BTF 250W F								X			
0457 827 889	BTF 250W F									X		

Spare parts are to be ordered through the nearest ESAB agency as per the list on the back of the cover. Kindly indicate type of unit, serial number, denominations and ordering numbers according to the spare parts list.

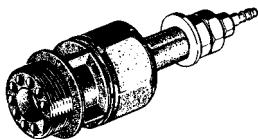
Maintenance and repair work should be performed by an experienced person, and electrical work only by a trained electrician. Use only recommended spare parts.

**Tillbehör Tilbehør Tilbehør Lisävarusteet Accessories Zubehör
Accessoires Accessoires Accesorios Accessori Acessórios Αξεσουάρ**

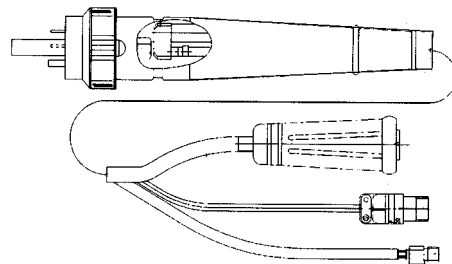
Ordering no.	Denomination	Notes	Colour	Current
	Electrodes	175 mm		
0151 574 008	Wolfram, pure	ø 1.0	Green/blue	AC
0151 574 009	Wolfram, pure	ø 1.6	Green/blue	AC
0151 574 010	Wolfram, pure	ø 2.4	Green/blue	AC
0151 574 011	Wolfram, pure	ø 3.2	Green/blue	AC
0151 574 012	Wolfram, pure	ø 4.0	Green/blue	AC
0151 574 001	Thorium 2%	ø 1.0	Red	DC
0151 574 002	Thorium 2%	ø 1.6	Red	DC
0151 574 003	Thorium 2%	ø 2.4	Red	DC
0151 574 004	Thorium 2%	ø 3.2	Red	DC
0151 574 005	Thorium 2%	ø 4.0	Red	DC
0151 574 036	Cerium	ø 1.0	Grey	AC/DC
0151 574 037	Cerium	ø 1.6	Grey	AC/DC
0151 574 038	Cerium	ø 2.4	Grey	AC/DC
0151 574 039	Cerium	ø 3.2	Grey	AC/DC
0151 574 040	Cerium	ø 4.0	Grey	AC/DC
0151 574 030	Lantan 1%	ø 1.0	Black	AC/DC
0151 574 031	Lantan 1%	ø 1.6	Black	AC/DC
0151 574 032	Lantan 1%	ø 2.4	Black	AC/DC
0151 574 033	Lantan 1%	ø 3.2	Black	AC/DC
0151 574 034	Lantan 1%	ø 4.0	Black	AC/DC

Ordering no.	Denomination	Notes
	Protective Cable	
0366 960 049	Protective cable cover with zipper	3.6 m
0366 960 050	Protective cable cover with zipper	7.2 m
0366 960 066	Spote welding set for BTF 150, BTF 150F, BTF 150V, BTF 200, BTF 200V, BTF 200F	
	Gas nozzle	ø 6.4, 8.0, 9.8, 11.2 and 12.7
0368 846 880	Accessory kit for BTF 140V, BTF 250W	Contains collets, collet body, nozzles, back caps
0368 846 881	Accessory kit for BTF 150, BTF 150F, BTF 200, BTF 200V, BTF 200F	Contains collets, collet body, nozzles, back caps
0368 846 882	Accessory kit for BTF 400W	Contains collets, collet body, nozzles, back caps
	Extension cable central connection	
0369 700 880	Extension cable gas cooled	8 m, max current 200 A
0369 700 881	Extension cable gas cooled	16 m, max current 200 A
0369 700 882	Extension cable water cooled	8 m, max current 400 A
0369 700 883	Extension cable water cooled	16 m, max current 400 A
	Extension cable OKC connection	
0466 705 880	Extension cable gas cooled	8 m, max current 200 A
0466 705 882	Extension cable gas cooled	16 m, max current 200 A
0466 705 881	Extension cable water cooled	8 m, max current 400 A
0466 705 883	Extension cable water cooled	16 m, max current 400 A
	TIG adaptors	
0367 258 880	Central connection adapter, machine side	A
0466 807 880	Adaptor central / OKC connection	B
0155 716 880	Flow meter	
0365 803 001	Water quick coupling	male
0365 803 002	Water quick coupling	female

A



B



BTF 140V, BTF 140VS, BTF 140VS RK

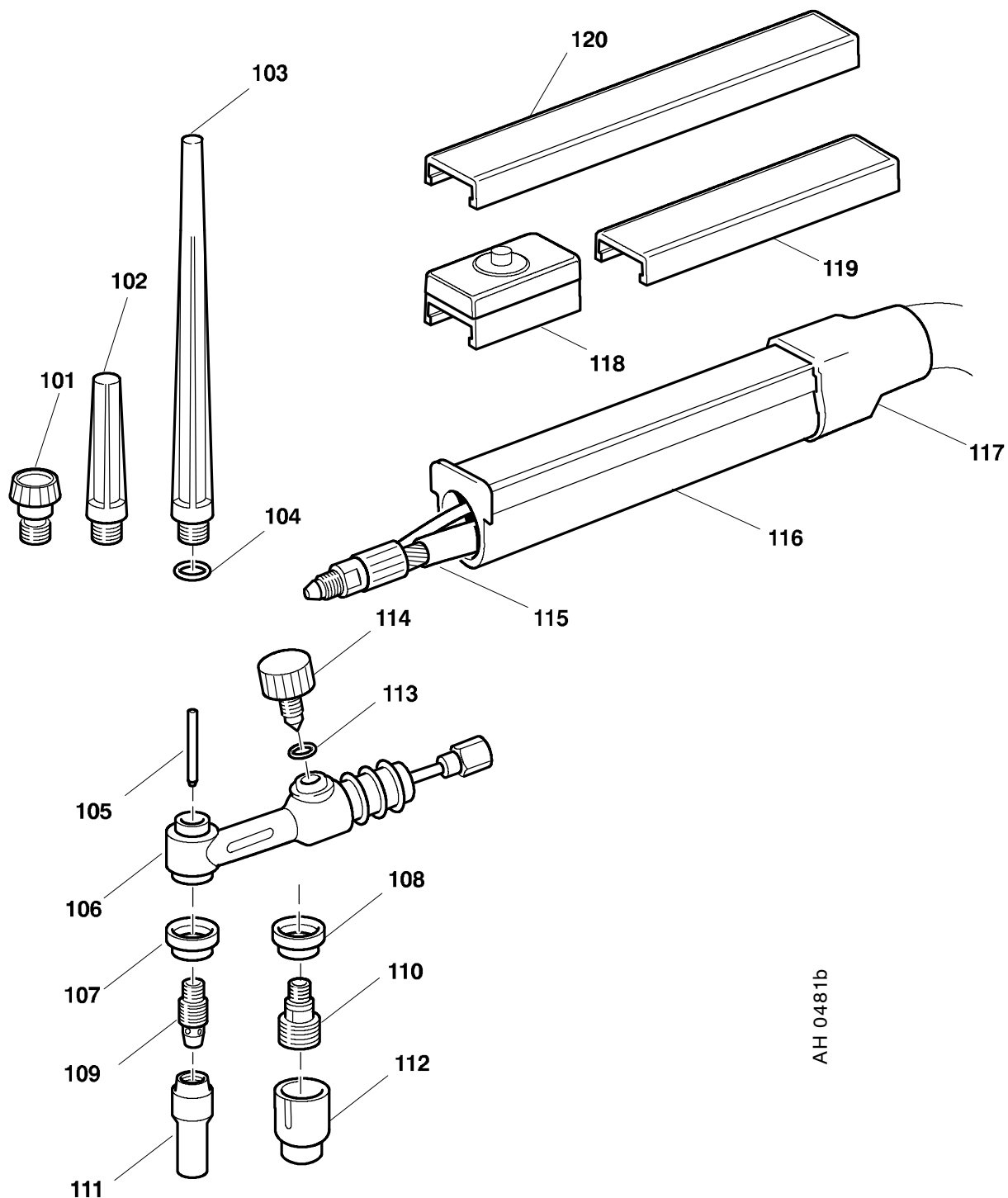
**Reservdelsförteckning Reservdelsfortegnelse Reservedelsliste
Varaosaluettelo Spare parts list Ersatzteilliste Liste de pièces détachées
Reserveonderdelenlijst Lista de repuestos Elenco ricambi Lista de peças
sobressalentes Πίνακας ανταλλακτικών μερών**

(W) = wear part (A) = accessory

(1 = is delivered with the type, x = option to the type, - = do not fit the type)

Item	140V	140VS	140 VSRK	Ordering no.	Denomination	Notes
101	x	x	x	0365 310 049	Back cup	short (W) (A)
102	x	x	x	0365 310 050	Back cup	medium (W) (A)
103	1	1	1	0365 310 051	Back cup	long (W)
104	1	1	1	0366 960 069	O-ring	
105	1	1	1	0365 310 029	Collet	∅ 1,6 (W)
	x	x	x	0365 310 027	Collet	∅ 0.5 (W) (A)
	x	x	x	0365 310 028	Collet	∅ 1.0 (W) (A)
	x	x	x	0365 310 030	Collet	∅ 2.4 (W) (A)
	x	x	x	0365 310 091	Collet	∅ 3.2 (W) (A)
106	1	1	1	0366 960 003	Torch head	
107	1	1	1	0366 960 017	Heat shield	
108	x	x	x	0366 960 019	Heat shield	
109	1	1	1	0365 310 038	Collet body	∅ 1,6 (W)
	x	x	x	0365 310 036	Collet body	∅ 0.5 (W) (A)
	x	x	x	0365 310 037	Collet body	∅ 1.0 (W) (A)
	x	x	x	0365 310 039	Collet body	∅ 2.4 (W) (A)
	x	x	x	0365 310 090	Collet body	∅ 3.2 (W) (A)
110	x	x	x	0157 121 017	Gas lens	∅ 1.6 (W) (A)
	x	x	x	0157 121 015	Gas lens	∅ 0.5 (W) (A)
	x	x	x	0157 121 016	Gas lens	∅ 1.0 (W) (A)
	x	x	x	0157 121 018	Gas lens	∅ 2.4 (W) (A)
111	1	1	1	0365 310 045	Gas nozzle	∅ 8.0 (W)
	x	x	x	0365 310 044	Gas nozzle	∅ 6.4 (W) (A)
	x	x	x	0365 310 046	Gas nozzle	∅ 9.8 (W) (A)
	x	x	x	0365 310 047	Gas nozzle	∅ 11.2 (W) (A)
	x	x	x	0365 310 048	Gas nozzle	∅ 12.7 (W) (A)
112	x	x	x	0157 121 033	Gas lens nozzle	∅ 8.0 (W) (A)
	x	x	x	0157 121 032	Gas lens nozzle	∅ 6.4 (W) (A)
	x	x	x	0157 121 034	Gas lens nozzle	∅ 9.8 (W) (A)
	x	x	x	0157 121 039	Gas lens nozzle	∅ 11.2 (W) (A)
	x	x	x	0157 121 040	Gas lens nozzle	∅ 12.7 (W) (A)
113	1	1	1	0366 960 045	O-ring	
114	1	1	1	0366 960 043	Valve	
115	1	1	1		Cables	See "OKC" on page 54 and "central" on page 57.
116	1	1	1	0458 288 001	Handle	
	1	-	-	0368 015 880	Handle	Complete item 116 and 120 included
	-	1	1	0368 015 881	Handle	Complete item 116 and 119 included
117	1	1	1	0458 283 001	Hose	L= 70 mm
118	-	1		0457 831 880	Micro switch	
	-	-	1	0457 831 881	Micro switch	
119	-	1		0367 424 005	Cable cover	
120	1	-		0367 425 004	Cable cover	

BTF 140V, BTF 140VS, BTF 140VS RK

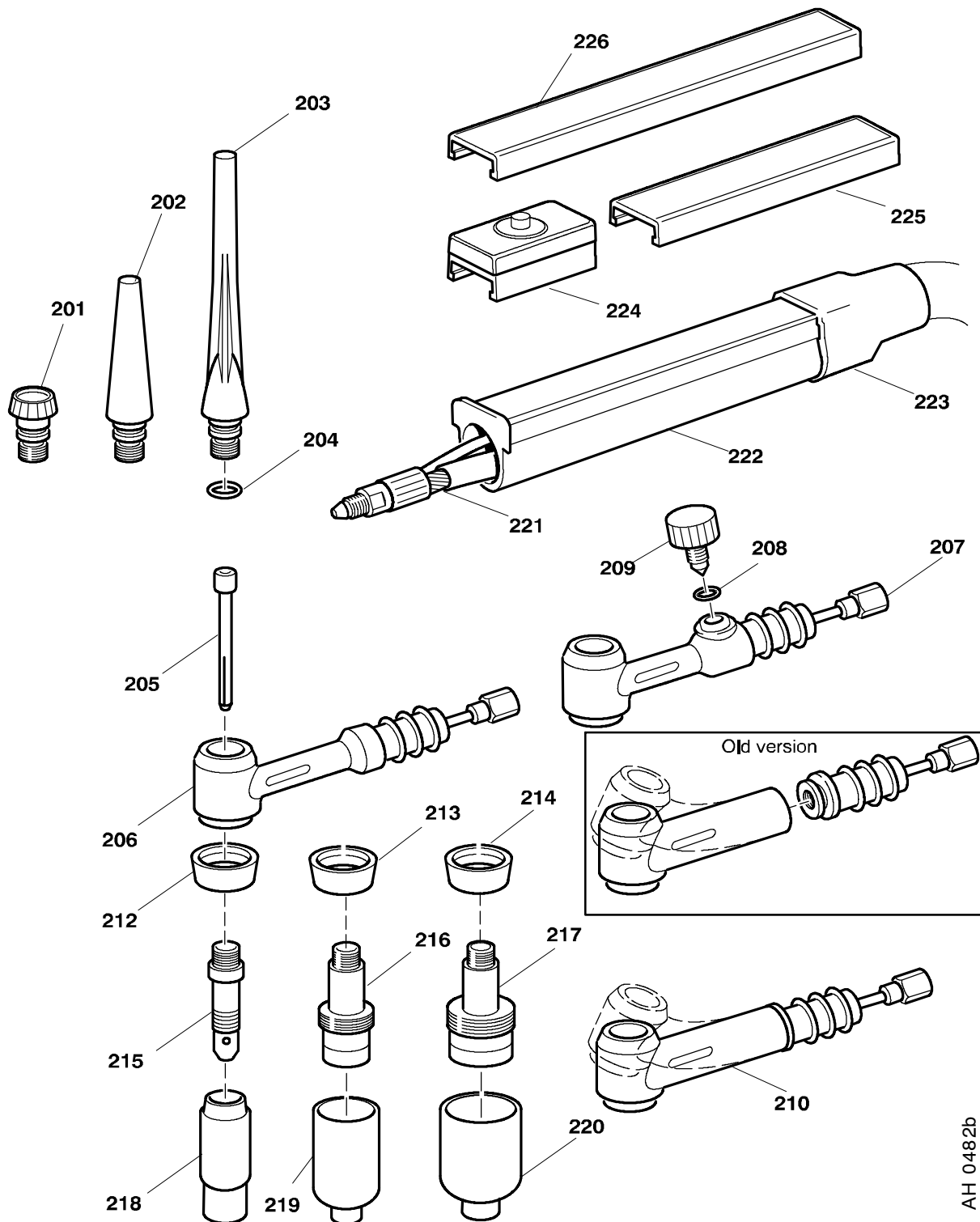


AH 0481b

(W) = wear part (A) = accessory

(1 = is delivered with the type, x = option to the type, - = do not fit the type)

Item	150	150 OKC25	150 OKC25C	150V	150F	Ordering no.	Denomination	Notes
201	x	x	x	x	1	0157 123 028	Back cup	short (W) (A)
202	x	x	x	x	x	0588 000 591	Back cup	medium (W) (A)
203	1	1	1	1	x	0157 123 029	Back cup	long (W) (A)
204	1	1	1	1	1	0366 960 070	O-ring	
205	1	x	x	1	1	0157 123 012	Collet	ø 2.4 (W) (A)
	x	x	x	x	x	0157 123 009	Collet	ø 0.5 (W) (A)
	x	x	x	x	x	0157 123 010	Collet	ø 1.0 (W) (A)
	x	1	1	x	x	0157 123 011	Collet	ø 1.6 (W) (A)
206	1	1	1	-	-	0366 960 002	Torch head	
207	-	-	-	1	-	0366 960 012	Torch head	
208	-	-	-	1	-	0366 960 045	O-ring	
209	-	-	-	1	-	0366 960 043	Valve	
210	-	-	-	-	1	0459 247 001	Torch head	Replacing 0366 960 046 and 0366 960 004
212	1	1	1	1	1	0366 960 016	Heat shield	
213	x	x	x	x	x	0366 960 020	Heat shield	
214	x	x	x	x	x	0366 960 021	Heat shield	
215	1	x	x	1	1	0157 123 017	Collet body	ø 2.4 (W)
	x	x	x	x	x	0157 123 080	Collet body	ø 0.5 (W) (A)
	x	x	x	x	x	0157 123 015	Collet body	ø 1.0 (W) (A)
	x	1	1	x	x	0157 123 016	Collet body	ø 1.6 (W) (A)
216	x	x	x	x	x	0157 123 020	Gas lens	ø 0.5 (W) (A)
	x	x	x	x	x	0157 123 021	Gas lens	ø 1.0 (W) (A)
	x	x	x	x	x	0157 123 022	Gas lens	ø 1.6 (W) (A)
	x	x	x	x	x	0157 123 023	Gas lens	ø 2.4 (W) (A)
217	x	x	x	x	x	0157 123 083	Gas lens extra large	ø 0.5 - 1.0 (W) (A)
	x	x	x	x	x	0157 123 084	Gas lens extra large	ø 1.6 (W) (A)
	x	x	x	x	x	0157 123 085	Gas lens extra large	ø 2.4 (W) (A)
218	1	1	1	1	1	0157 123 055	Gas nozzle	ø 11.2 (W)
	x	x	x	x	x	0157 123 052	Gas nozzle	ø 6.4 (W) (A)
	x	x	x	x	x	0157 123 053	Gas nozzle	ø 8.0 (W) (A)
	x	x	x	x	x	0157 123 054	Gas nozzle	ø 9.8 (W) (A)
	x	x	x	x	x	0157 123 056	Gas nozzle	ø 12.7 (W) (A)
219	x	x	x	x	x	0157 123 057	Gas nozzle	ø 6.4 (W) (A)
	x	x	x	x	x	0157 123 058	Gas nozzle	ø 8.0 (W) (A)
	x	x	x	x	x	0157 123 059	Gas nozzle	ø 9.8 (W) (A)
	x	x	x	x	x	0157 123 060	Gas nozzle	ø 11.2 (W) (A)
	x	x	x	x	x	0157 123 061	Gas nozzle	ø 12.7 (W) (A)
220	x	x	x	x	x	0157 123 088	Gas nozzle	ø 9.8 (W) (A)
	x	x	x	x	x	0157 123 089	Gas nozzle	ø 11.2 (W) (A)
	x	x	x	x	x	0157 123 098	Gas nozzle	ø 12.7 (W) (A)
221	1	1	1	1	1		Cables	See "OKC" on page 54 and "central" on page 57.
222	1	1	1	1	1	0458 288 001	Handle	
-	-	-	-	1	1	0368 015 880	Handle	Complete, item 222 and 226 included
-	1	1	1	-	-	0368 015 881	Handle	Complete, item 222 and 225 included
223	1	1	1	1	1	0458 283 001	Hose	L= 70 mm
224	1	1	1	-	1	0457 831 880	Microswitch	
225	1	1	1	-	1	0367 424 005	Cable chute	
226	-	-	-	1	1	0367 425 004	Cable cover	



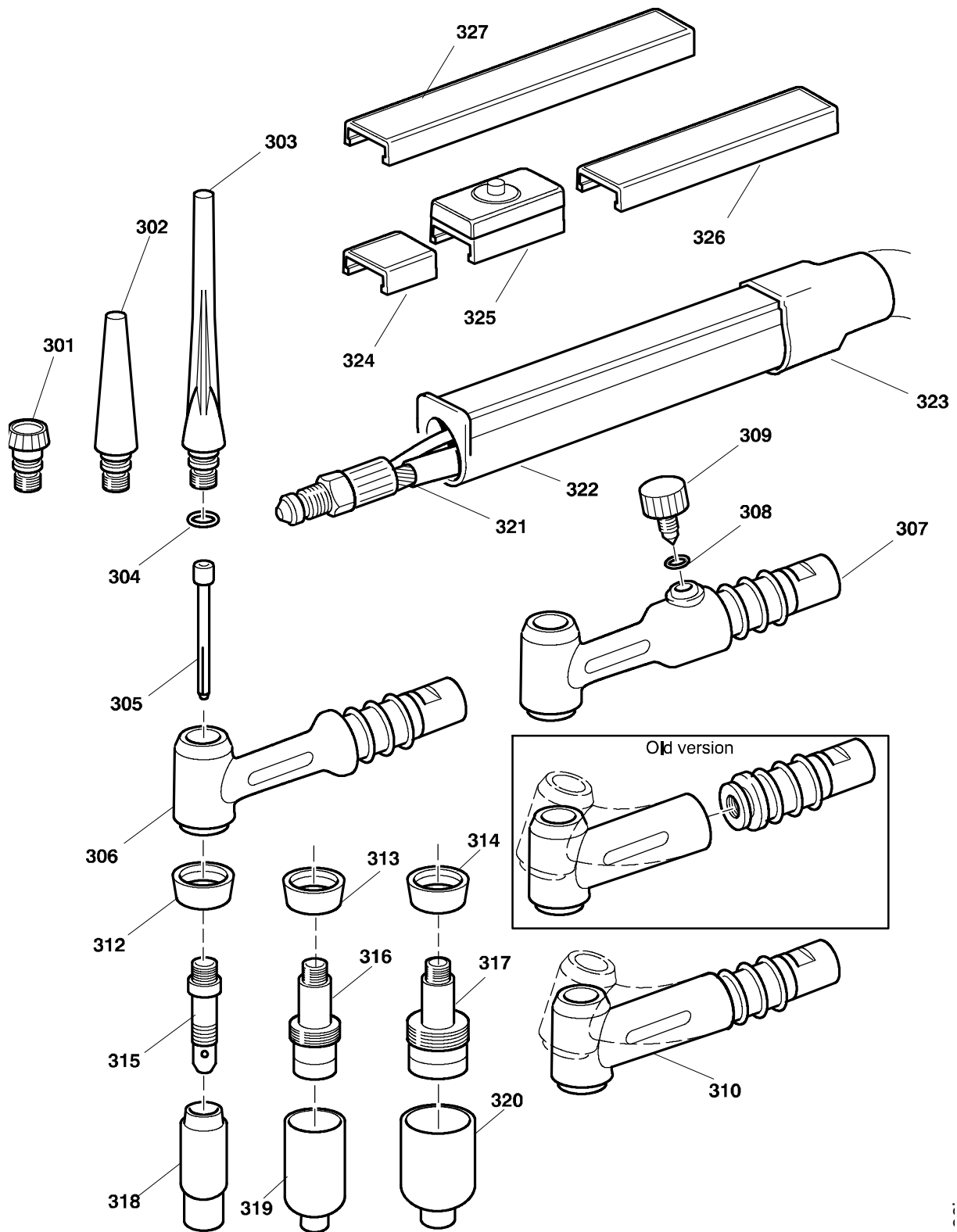
AH 0482b

BTF 200, BTF 200 OKC25, BTF 200V, BTF 200V RK, BTF 200F

(W) = wear part (A) = accessory

(1 = is delivered with the type, x = option to the type, - = do not fit the type)

Item	200	200 OKC25	200V	200V RK	200F	Ordering no.	Denomination	Notes
301	x	x	x	x	1	0157 123 028	Back cup	(short) (W) (A)
302	x	x	x	x	x	0588 000 591	Back cup	medium (W) (A)
303	1	1	1	1	1	0157 123 029	Back cup	(long) (W)
304	1	1	1	1	1	0366 960 070	O-ring	
305	1	1	1	1	1	0157 123 012	Collet	∅ 2.4 (W)
	x	x	x	x	x	0157 123 009	Collet	∅ 0.5 (W) (A)
	x	x	x	x	x	0157 123 010	Collet	∅ 1.0 (W) (A)
	x	x	x	x	x	0157 123 011	Collet	∅ 1.6 (W) (A)
	x	x	x	x	x	0157 123 013	Collet	∅ 3.2 (W) (A)
	x	x	x	x	x	0157 123 014	Collet	∅ 4.0 (W) (A)
306	1	1	-	-	-	0366 960 005	Torch body	
307	-	-	1	1	-	0366 960 006	Torch body	
308	-	-	1	1	-	0366 960 045	O-ring	
309	-	-	1	1	-	0366 960 044	Valve	
310	-	-	-	-	1	0459 248 001	Torch head	Replacing 0366 960 047 and 0366 960 007
312	1	1	1	1	1	0366 960 016	Heat shield	
313	1	1	1	1	1	0366 960 020	Heat shield	
314	1	1	1	1	1	0366 960 021	Heat shield	
315	1	1	1	1	1	0157 123 017	Collet body	∅ 2.4 (W)
	x	x	x	x	x	0157 123 080	Collet body	∅ 0.5 (W) (A)
	x	x	x	x	x	0157 123 015	Collet body	∅ 1.0 (W) (A)
	x	x	x	x	x	0157 123 016	Collet body	∅ 1.6 (W) (A)
	x	x	x	x	x	0157 123 018	Collet body	∅ 3.2 (W) (A)
	x	x	x	x	x	0157 123 019	Collet body	∅ 4.0 (W) (A)
316	x	x	x	x	x	0157 123 020	Gas lens	∅ 0.5 (W) (A)
	x	x	x	x	x	0157 123 021	Gas lens	∅ 1.0 (W) (A)
	x	x	x	x	x	0157 123 022	Gas lens	∅ 1.6 (W) (A)
	x	x	x	x	x	0157 123 023	Gas lens	∅ 2.4 (W) (A)
	x	x	x	x	x	0157 123 024	Gas lens	∅ 3.2 (W) (A)
	x	x	x	x	x	0157 123 025	Gas lens	∅ 4.0 (W) (A)
317	x	x	x	x	x	0157 123 083	Gas lens extra large	∅ 0.5-1.0 (W) (A)
	x	x	x	x	x	0157 123 084	Gas lens extra large	∅ 1.6 (W) (A)
	x	x	x	x	x	0157 123 085	Gas lens extra large	∅ 2.4 (W) (A)
	x	x	x	x	x	0157 123 086	Gas lens extra large	∅ 3.2 (W) (A)
	x	x	x	x	x	0157 123 087	Gas lens extra large	∅ 4.0 (W) (A)
318	1	1	1	1	1	0157 123 055	Gas nozzle	∅ 11.2 (W)
	x	x	x	x	x	0157 123 052	Gas nozzle	∅ 6.4 (W) (A)
	x	x	x	x	x	0157 123 053	Gas nozzle	∅ 8.0 (W) (A)
	x	x	x	x	x	0157 123 054	Gas nozzle	∅ 9.8 (W) (A)
319	x	x	x	x	x	0157 123 056	Gas nozzle	∅ 12.7 (W) (A)
	x	x	x	x	x	0157 123 057	Gas nozzle	∅ 6.4 (W) (A)
	x	x	x	x	x	0157 123 058	Gas nozzle	∅ 8.0 (W) (A)
	x	x	x	x	x	0157 123 059	Gas nozzle	∅ 9.8 (W) (A)
	x	x	x	x	x	0157 123 060	Gas nozzle	∅ 11.2 (W) (A)
	x	x	x	x	x	0157 123 061	Gas nozzle	∅ 12.7 (W) (A)
320	x	x	x	x	x	0157 123 088	Gas nozzle	∅ 9.8 (W) (A)
	x	x	x	x	x	0157 123 089	Gas nozzle	∅ 12.7 (W) (A)
	x	x	x	x	x	0157 123 098	Gas nozzle	∅ 19.0 (W) (A)
321	1	1	1	1	1		Cables	See OKC page 54, Central page 57.
322	1	1	1	1	1	0367 426 001	Handle	
-	-	-	1	1	-	0368 015 882	Handle	Complete, item 322 and 327 included
-	1	1	-	-	1	0368 015 883	Handle	Complete, item 322, 324, 326 included
323	1	1	1	1	1	0458 283 001	Hose	L= 70 mm
324	1	1	-	-	1	0367 424 003	Cable cover	
325	1	1	-	-	1	0457 831 880	Microswitch	
	-	-	-	1	-	0457 831 882	Microswitch	
326	1	1	-	1	1	0367 424 005	Cable chute	
327	-	-	1	-	-	0367 425 003	Cable distance	



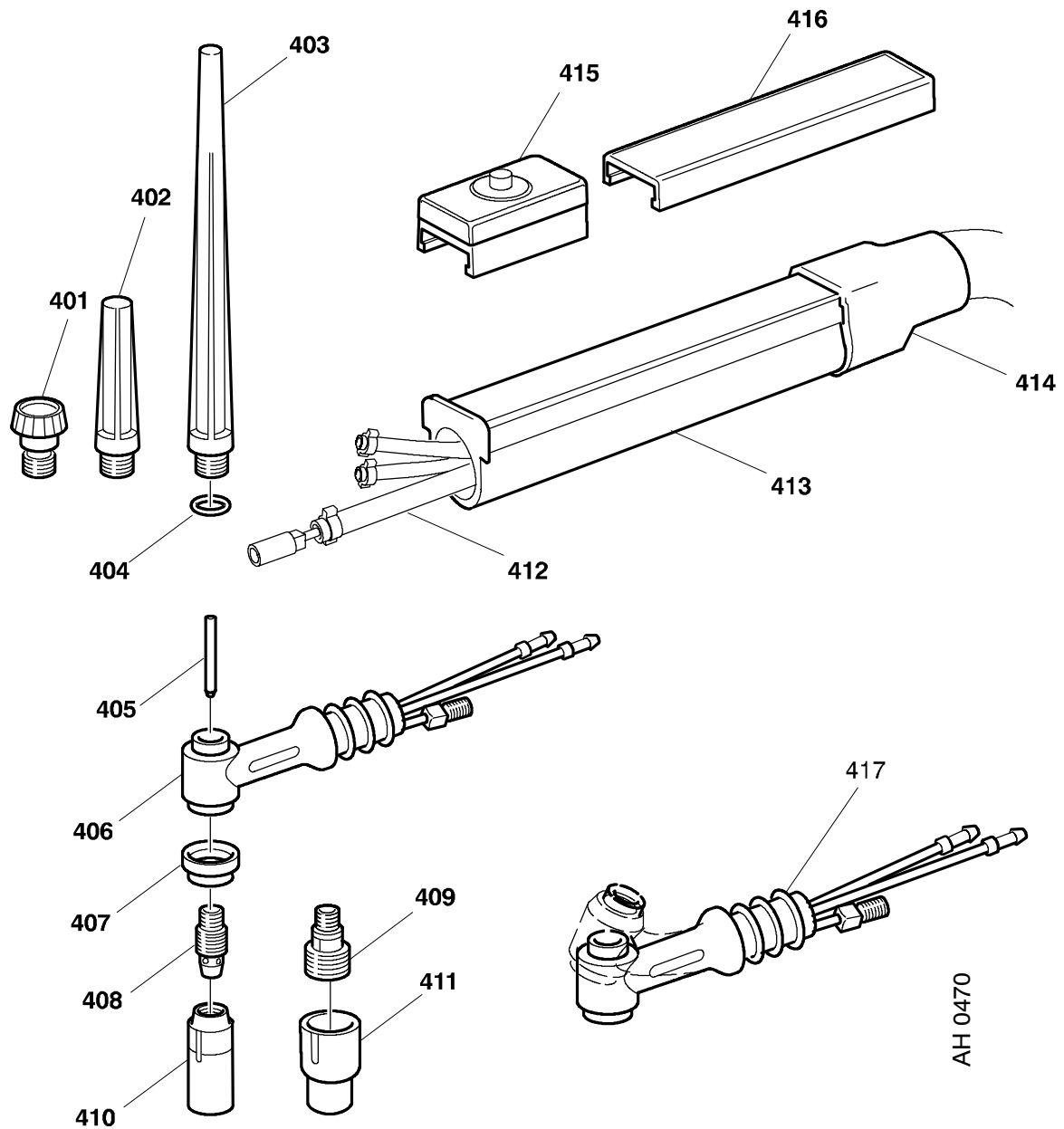
BTF 250W, BTF 250W F

(W) = wear part (A) = accessory

(1 = is delivered with the type, x = option to the type, - = do not fit the type)

Item	250W	250W F	Ordering no.	Denomination	Notes
401	x	x	0365 310 049	Back cup	(short) (W) (A)
402	x	x	0365 310 050	Back cup	(medium) (W) (A)
403	1	1	0365 310 051	Back cup	(long) (W)
404	1	1	0366 960 069	O-ring	
405	1	1	0365 310 030	Collet	ø 2.4 (W)
	x	x	0365 310 027	Collet	ø 0.5 (W) (A)
	x	x	0365 310 028	Collet	ø 1.0 (W) (A)
	x	x	0365 310 029	Collet	ø 1.6 (W) (A)
	x	x	0365 310 091	Collet	ø 3.2 (W) (A)
406	1	-	0366 960 008	Torch body	
407	1	1	0366 960 017	Heat shield	
408	1	1	0365 310 039	Collet body	ø 2.4 (W)
	x	x	0365 310 036	Collet body	ø 0.5 (W) (A)
	x	x	0365 310 037	Collet body	ø 1.0 (W) (A)
	x	x	0365 310 038	Collet body	ø 1.6 (W) (A)
	x	x	0365 310 090	Collet body	ø 3.2 (W) (A)
409	x	x	0157 121 015	Gas lens	ø 0.5 (W) (A)
	x	x	0157 121 016	Gas lens	ø 1.0 (W) (A)
	x	x	0157 121 017	Gas lens	ø 1.6 (W) (A)
	x	x	0157 121 018	Gas lens	ø 2.4 (W) (A)
	x	x	0157 121 041	Gas lens	ø 3.2 (W) (A)
410	1	1	0365 310 046	Gas nozzle	ø 9.8 (W)
	x	x	0365 310 044	Gas nozzle	ø 6.4 (W) (A)
	x	x	0365 310 045	Gas nozzle	ø 8.0 (W) (A)
	x	x	0365 310 047	Gas nozzle	ø 11.2 (W) (A)
	x	x	0365 310 048	Gas nozzle	ø 12.7 (W) (A)
411	x	x	0157 121 032	Gas nozzle	ø 6.4 (W) (A)
	x	x	0157 121 033	Gas nozzle	ø 8.0 (W) (A)
	x	x	0157 121 034	Gas nozzle	ø 9.8 (W) (A)
	x	x	0157 121 039	Gas nozzle	ø 11.2 (W) (A)
	x	x	0157 121 040	Gas nozzle	ø 12.7 (W) (A)
412	1	1		Cables	See "OKC" on page 54 and "central" on page 57.
413	1	1	0458 288 001	Handle	
-	1	1	0368 015 881	Handle	Complete, item 413 and 416 included
414	1	1	0458 283 001	Hose	L=70 mm
415	1	1	0457 831 880	Microswitch	
416	1	1	0367 424 005	Cable chute	
417	-	1	0459 470 001	Torch body	

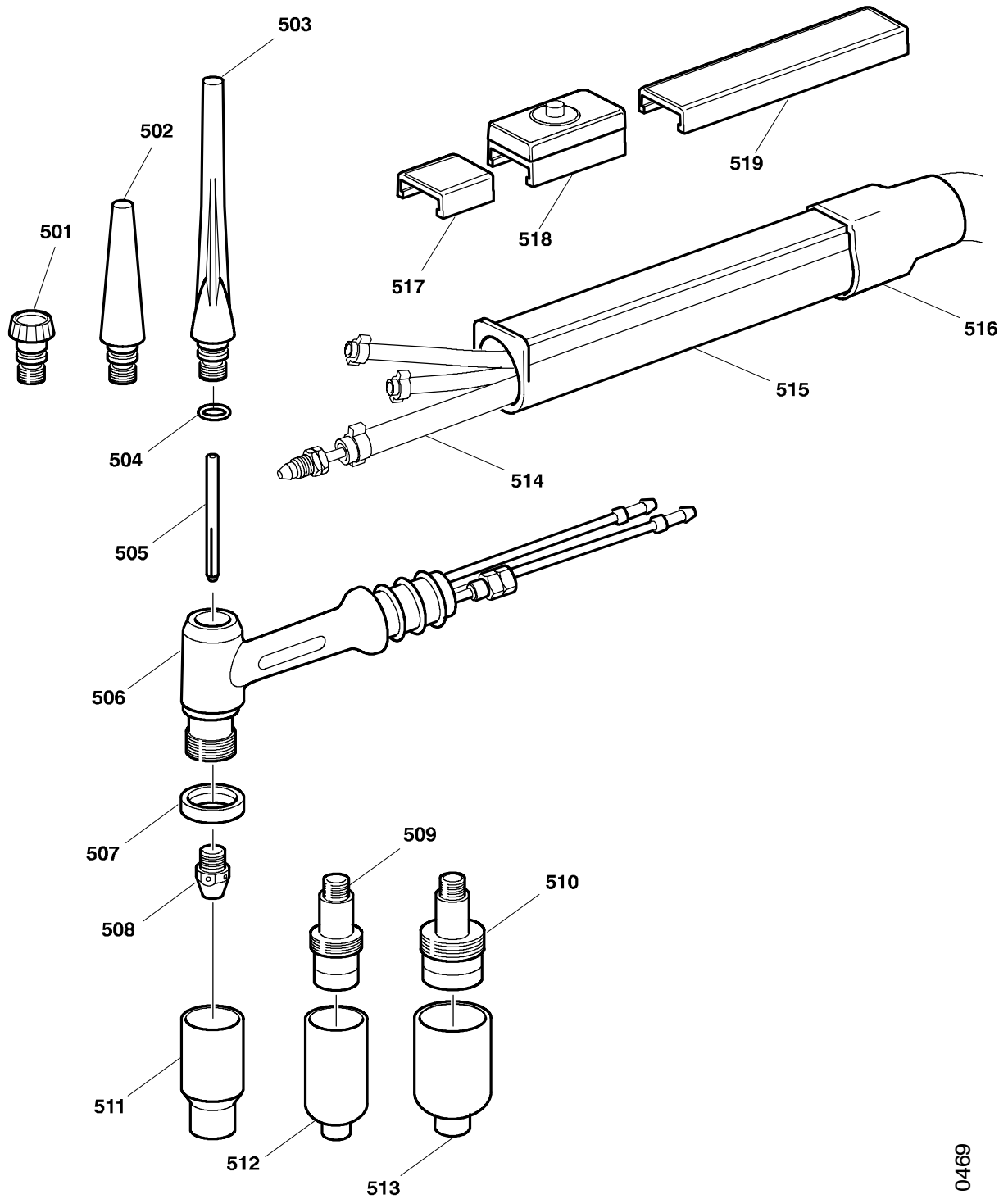
BTF 250W, BTF 250W F



AH 0470

(W) = wear part (A) = accessory
 (1 = is delivered with the type, x = option to the type, - = do not fit the type)

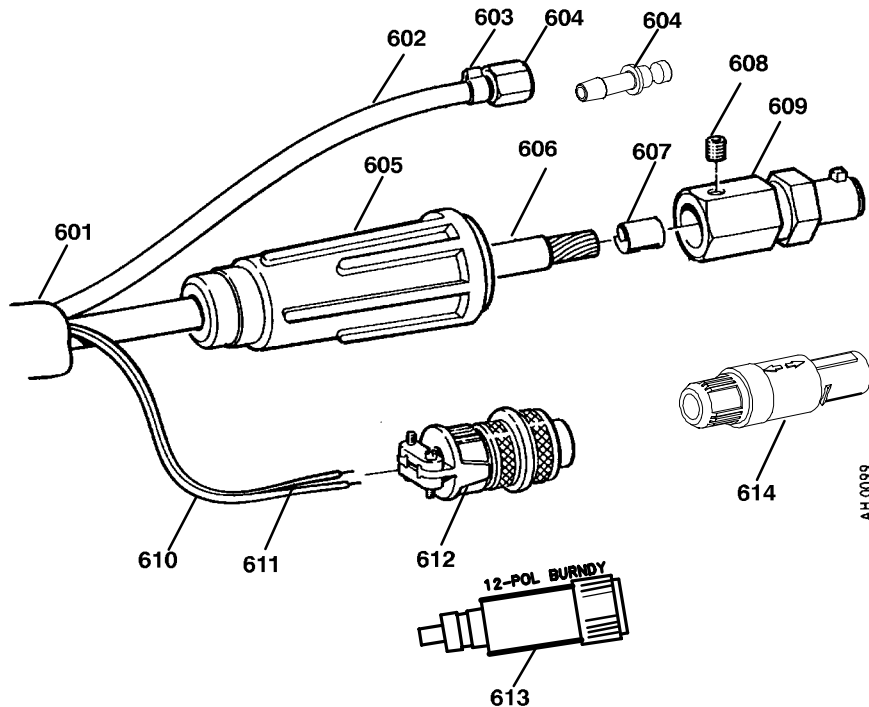
Item	400W	Ordering no.	Denomination	Notes
501	x	0157 123 028	Back cup	(short) (W) (A)
502	x	0588 000 591	Back cup	(medium) (W) (A)
503	1	0157 123 029	Back cup	(long) (W)
504	1	0366 960 069	O-ring	
505	1	0157 123 078	Collet	∅ 3.2 (W)
	x	0157 123 009	Collet	∅ 0.5 (W) (A)
	x	0157 123 010	Collet	∅ 1.0 (W) (A)
	x	0157 123 011	Collet	∅ 1.6 (W) (A)
	x	0157 123 077	Collet	∅ 2.4 (W) (A)
	x	0157 123 079	Collet	∅ 4.0 (W) (A)
	x	0157 123 074	Collet	∅ 4.8 (W) (A)
506	1	0366 960 009	Torch body	
507	1	0366 960 018	Heat shield	
508	1	0157 123 082	Collet body	∅ 3.2 / ∅ 4.0 (W)
	x	0157 123 081	Collet body	∅ 0.5 / ∅ 3.2 (W) (A)
509	x	0157 123 090	Gas lens	∅ 0.5 (W) (A)
	x	0157 123 091	Gas lens	∅ 1.0 (W) (A)
	x	0157 123 092	Gas lens	∅ 1.6 (W) (A)
	x	0157 123 093	Gas lens	∅ 2.4 (W) (A)
	x	0157 123 094	Gas lens	∅ 3.2 (W) (A)
	x	0157 123 095	Gas lens	∅ 4.0 (W) (A)
	x	0157 123 075	Gas lens	∅ 4.8 (W) (A)
510	x	0157 123 103	Gas lens extra large	∅ 0.5 - 3.2 (W) (A)
	x	0157 123 105	Gas lens extra large	∅ 3.2 - 4.8 (W) (A)
511	1	0157 123 061	Nozzle	∅ 12.7 (W)
	x	0157 123 057	Nozzle	∅ 6.4 (W) (A)
	x	0157 123 058	Nozzle	∅ 8.0 (W) (A)
	x	0157 123 059	Nozzle	∅ 9.8 (W) (A)
	x	0157 123 060	Nozzle	∅ 11.2 (W) (A)
512	x	0157 123 057	Gas nozzle	∅ 6.4 (W) (A)
	x	0157 123 058	Gas nozzle	∅ 8.0 (W) (A)
	x	0157 123 059	Gas nozzle	∅ 9.8 (W) (A)
	x	0157 123 060	Gas nozzle	∅ 11.2 (W) (A)
	x	0157 123 061	Gas nozzle	∅ 12.7 (W) (A)
513	x	0157 123 088	Gas nozzle extra large	∅ 9.8 (W) (A)
	x	0157 123 089	Gas nozzle extra large	∅ 12.7 (W) (A)
	x	0157 123 098	Gas nozzle extra large	∅ 19.0 (W) (A)
514	1		Cables	See "OKC" on page 54 and "central" on page 57.
515	1	0367 426 001	Handle	
-	1	0368 015 882	Handle	Complete, item 515, 517 and 519 included
516	1	0458 283 002	Hose	L=70 mm
517	1	0367 424 003	Cable cover	
518	1	0457 831 880	Micro switch	
519	1	0367 424 005	Cable chute	



AH 0469

(W) = wear part (A) = accessory
 (1 = is delivered with the type, x = option to the type, - = do not fit the type)

Item	140V 140VS	140 VS RK	150 150F	150 OKC25	150 OKC25C	150V	Ordering no.	Denomination	Notes
OKC-connections									
601	1	1	1	1	1	1	0467 822 004	Outer case	(W)
602	1	1	-	-	-	1	0458 202 880	Gas hose L= 6 m	Torch 4 m
	1	1	-	-	-	1	0458 202 881	Gas hose L= 10 m	Torch 8 m
	-	-	1	1	1	-	0458 202 884	Gas hose L= 4.35 m	Torch 4 m
	-	-	1	1	1	-	0458 202 885	Gas hose L= 8.35 m	Torch 8 m
603	-	-	1	1	1	-	0368 978 001	Hose clamp	Incl. in item 604 (A)
604	-	-	1	1	1	-	0458 198 880	Gas nipple comp.	(A)
604	-	-	-	1	-	-	0459 057 001	Gas nipple comp.	(A)
605	1	1	-	1	-	-	0160 360 880	OKC 25 complete	(A)
	-	-	1	-	1	1	0160 360 881	OKC 50 complete	(A)
606	1	1	1	1	1	1	0458 212 888	Power cable	4 m (A)
	1	1	1	1	1	1	0458 212 889	Power cable	8 m (A)
607	1	1	1	1	1	1		Sleeve	Incl. in item 605 (A)
608	1	1	1	1	1	1		Locking screw	Incl. in item 605 (A)
609	1	1	1	1	1	1		Contact device	Incl. in item 605 (A)
610	-	-	-	1	-	-	0369 699 001	Control cable	(A)
	1	-	1	-	1	1	0369 699 002	Control cable	(A)
611	-	1	-	-	-	-	0458 492 001	Control cable	4,45 m
612	1	-	1	-	1	1	0538 501 102	Cannon plug	(A) 2 pins
613	-	1	-	-	-	-	0368 541 003	12-pol Burndy	(A) 6 pins
614	-	-	-	1	-	-	0459 056 001	Plug contact	2-pol Straight

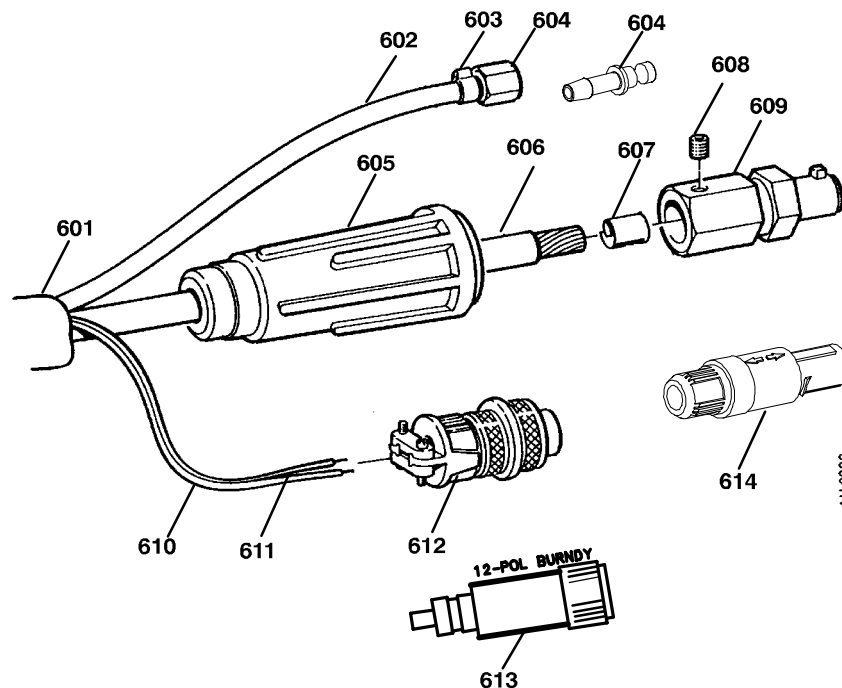


BTF 200, BTF 200 OKC25, BTF 200V, BTF 200V RK, BTF 200F

(W) = wear part (A) = accessory

(1 = is delivered with the type, x = option to the type, - = do not fit the type)

Item	200	200 OKC25	200F	200V	200 VS RK	Ordering no.	Denomination	Notes
							OKC-connections	
601	1	1	1	1	1	0467 822 004	Outer case	(W)
602	-	-	-	-	-	0458 202 880	Gas hose L= 6 m	Torch 4 m
	-	-	-	-	-	0458 202 881	Gas hose L= 10 m	Torch 8 m
	-	-	-	-	-	0458 202 884	Gas hose L= 4.35 m	Torch 4 m
	-	-	-	-	-	0458 202 885	Gas hose L= 8.35 m	Torch 8 m
	-	-	-	1	1	0458 202 882	Gas hose L= 6 m	Torch 4 m
	-	-	-	1	-	0458 202 883	Gas hose L= 10 m	Torch 8 m
	1	1	1	-	-	0458 202 886	Gas hose L= 4.35 m	Torch 4 m
	1	-	1	-	-	0458 202 887	Gas hose L= 8.35 m	Torch 8 m
603	1	1	1	-	-	0368 978 001	Hose clamp	Incl. in item 604 (A)
604	1	-	1	-	-	0458 198 880	Gas nipple comp.	(A)
604	-	1	-	-	-	0459 057 001	Gas nipple comp.	(A)
605	-	1	-	-	-	0160 360 880	OKC 25 complete	(A)
	1	-	1	1	1	0160 360 881	OKC 50 complete	(A)
606	1	1	1	-	-	0458 212 888	Power cable	4 m (A)
	1	-	1	-	-	0458 212 889	Power cable	8 m (A)
	-	-	-	1	1	0458 212 890	Power cable	4 m (A)
	-	-	-	1	-	0458 212 891	Power cable	8 m (A)
607	1	1	1	1	1		Sleeve	Incl. in item 605 (A)
608	1	1	1	1	1		Locking screw	Incl. in item 605 (A)
609	1	1	1	1	1		Contact device	Incl. in item 605 (A)
610	-	1	-	-	-	0369 699 001	Control cable	(A)
	1	-	1	1	-	0369 699 002	Control cable	(A)
611	-	-	-	-	1	0458 492 001	Control cable	4,45 m
612	1	-	1	1	-	0538 501 102	Cannon plug	(A) 2 pins
613	-	-	-	-	1	0368 541 003	12-pol Burndy	(A) 6 pins
614	-	1	-	-	-	0459 056 001	Plug contact	2-pol Straight

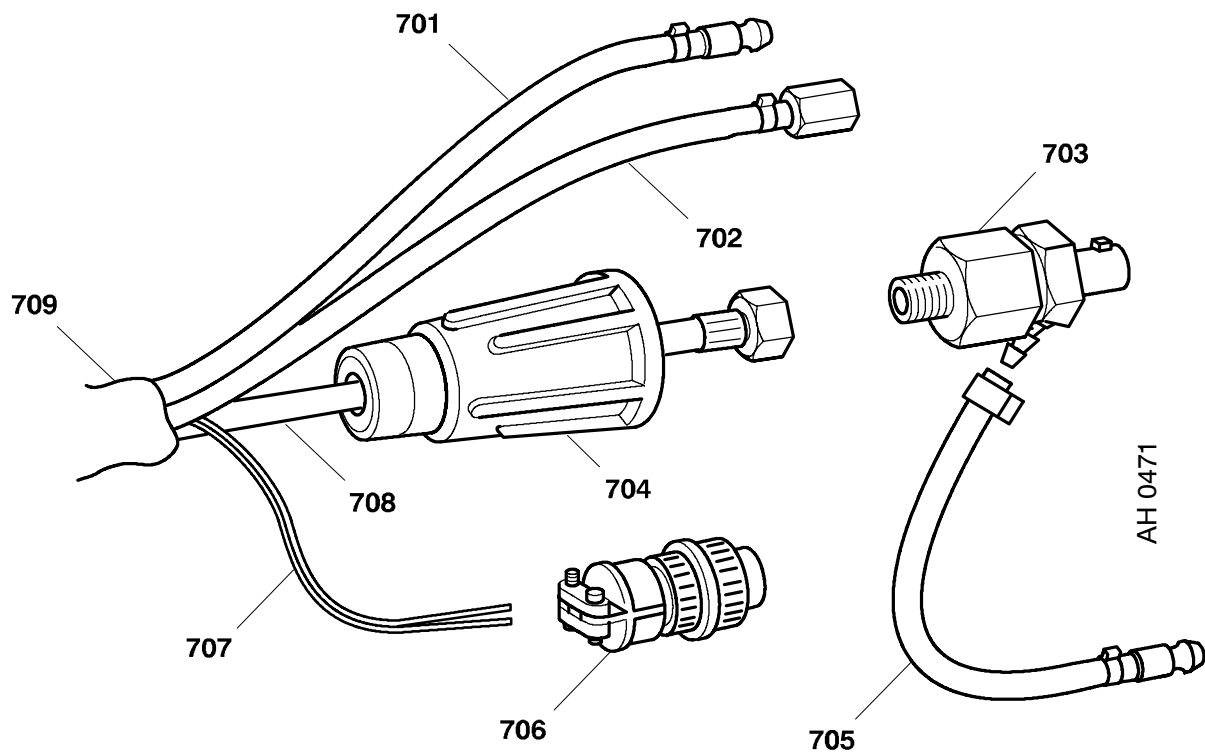


BTF 250W, BTF 250W F, BTF 400W

(W) = wear part (A) = accessory

(1 = is delivered with the type, x = option to the type, - = do not fit the type)

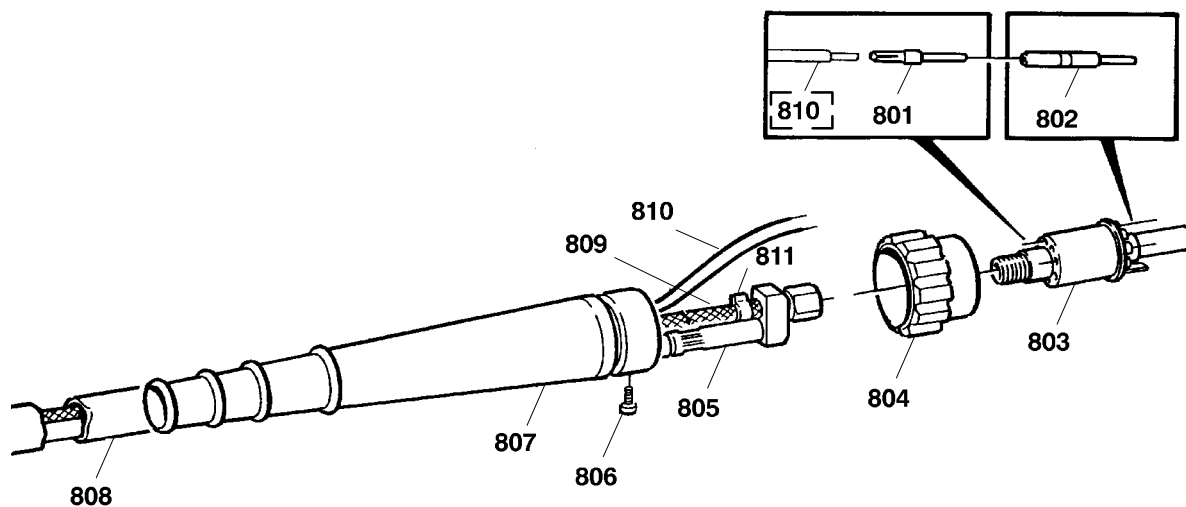
Item	250W	250 W F	400W	Ordering no.	Denomination	Notes
OKC connections						
701	1	1	1	0457 990 890	Water hose	4 m (A)
	1	1	1	0457 990 891	Water hose	8 m (A)
702	1	1	1	0457 990 880	Gas hose	4 m (A)
	1	1	1	0457 990 881	Gas hose	8 m (A)
703	1	1	1		Contact device	Included in item 704 (A)
704	1	1	1	0317 082 881	OKC special compl.	(A)
705	1	1	1	0457 990 900	Water hose	(A)
706	1	1	1	0538 501 102	Cannon plug	(A)
707	1	1	1	0369 699 002	Control cable	(A)
708	1	1	-	0457 866 880	Current / water cable	4 m (A)
	-	-	1	0457 866 882	Current / water cable	4 m (A)
	1	1	-	0457 866 881	Current / water cable	8 m (A)
	-	-	1	0457 866 883	Current / water cable	8 m (A)
709	1	1	-	0467 822 004	Outer case	(W)
	-	-	1	0467 822 005	Outer case	(W)



BTF 150, 150F, 200, 200F

(W) = wear part (A) = accessory
 (1 = is delivered with the type, x = option to the type, - = do not fit the type)

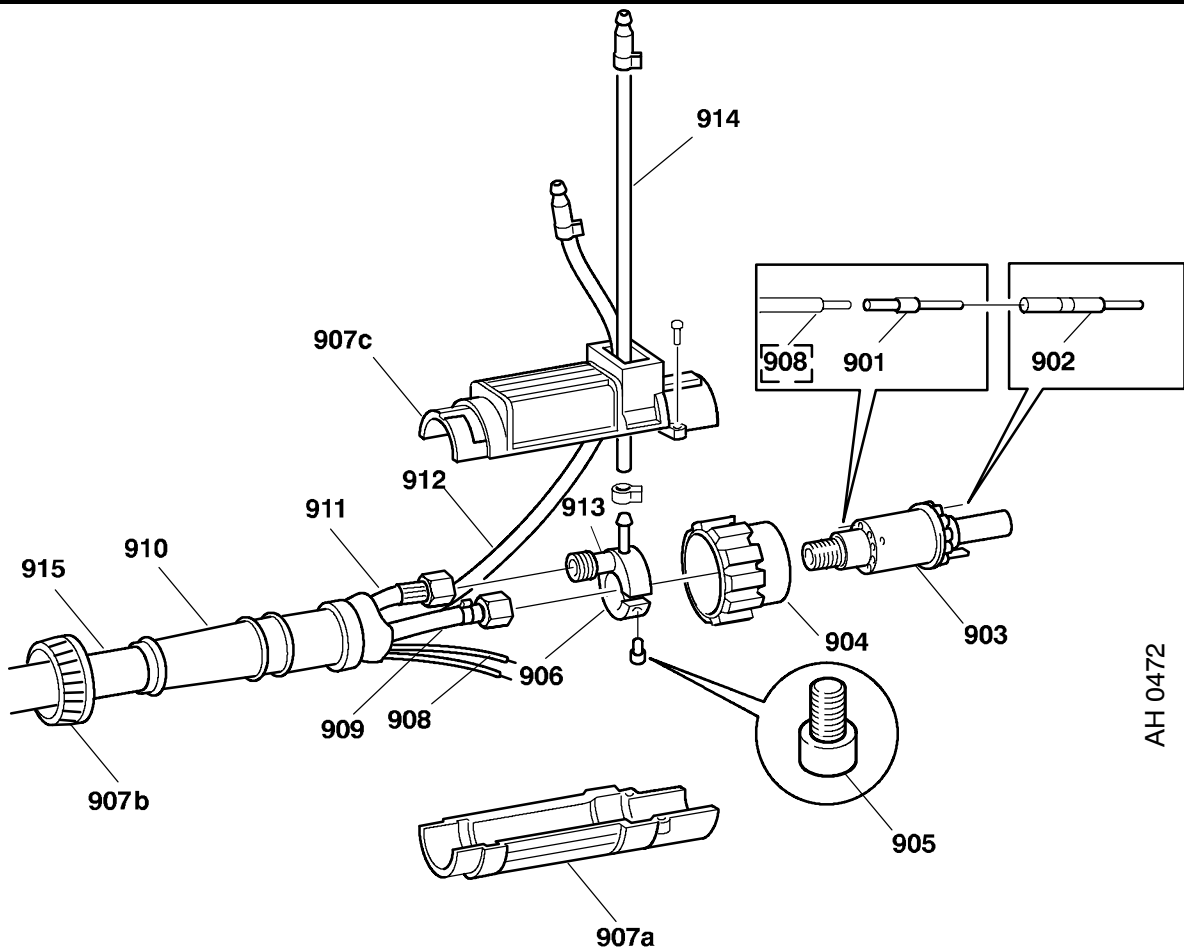
Item	150 150F	200 200F	Ordering no.	Denomination	Notes
Central connections					
801	1	1	0467 366 004	Contact pin	(A)
802	1	1	0467 366 002	Male/female pin	(A)
803	1	1	0467 366 001	Adaptor body complete	(A)
804	1	1	0467 424 001	Adaptor nut	(A)
805	1	-	0458 212 892	Power cable complete	4 m (A)
	-	1	0458 212 894	Power cable complete	4 m (A)
	1	-	0458 212 893	Power cable complete	8 m (A)
	-	1	0458 212 895	Power cable complete	8 m (A)
806	1	1		Screw	Included in item 807 (A)
807	1	1	0467 015 880	Counterbalancing sleeve	(A)
808	1	1	0467 822 004	Outer case	(W)
809	1	-	0458 202 884	Gas hose L= 4.35 m	Torch 4 m
	1	-	0458 202 885	Gas hose L= 8.35 m	Torch 8 m
	-	1	0458 202 886	Gas hose L= 4.35 m	Torch 4 m
	-	1	0458 202 887	Gas hose L= 8.35 m	Torch 8 m
810	1	1	0369 699 002	Control cable	(A)
811	1	1	0368 978 002	Hose clamp	(A)



BTF 250W, BTF 250W F, BTF 400W

(W) = wear part (A) = accessory
 (1 = is delivered with the type, x = option to the type, - = do not fit the type)

Item	250W	400W	Ordering no.	Denomination	Notes
Central connections					
901	1	1	0467 366 004	Contact pin	(A)
902	1	1	0467 366 002	Male / female pin	(A)
903	1	1	0467 366 001	Adaptor body complete	(A)
904	1	1	0467 424 001	Adaptor nut	(A)
905	1	1	0192 238 331	Screw	(A)
906	1	1	0457 833 880	Connector block	(A)
907	1	1	0466 850 880	Connection sleeve set	Includes item 907a, 907b and 907c (A)
908	1	1	0369 699 002	Control cable	(A)
909	1	1	0457 990 884	Gas hose	4 m (A)
	1	1	0457 990 885	Gas hose	8 m (A)
910	1	1	0466 767 001	Counter balacing sleeve	(A)
911	1	-	0457 866 880	Current / water hose	4 m (A)
	-	1	0457 866 882	Current / water hose	4 m (A)
	1	-	0457 866 881	Current / water hose	8 m (A)
	-	1	0457 866 883	Current / water hose	8 m (A)
912	1	1	0457 990 894	Water hose	4 m (A)
	1	1	0457 990 895	Water hose	8 m (A)
913	1	1	0467 242 001	Sealing washer	(A)
914	1	1	0457 990 902	Connection hose compl.	(A)
915	1	-	0467 822 004	Outer case	(W)
	-	1	0467 822 005	Outer case	(W)



AH 0472

ESAB subsidiaries and representative offices

Europe

AUSTRIA

ESAB Ges.m.b.H
Vienna-Liesing
Tel: +43 1 888 25 11
Fax: +43 1 888 25 11 85

BELGIUM

S.A. ESAB N.V.
Brussels
Tel: +32 2 745 11 00
Fax: +32 2 726 80 05

THE CZECH REPUBLIC

ESAB VAMBERK s.r.o.
Prague
Tel: +420 2 819 40 885
Fax: +420 2 819 40 120

DENMARK

Aktieselskabet ESAB
Copenhagen-Valby
Tel: +45 36 30 01 11
Fax: +45 36 30 40 03

FINLAND

ESAB Oy
Helsinki
Tel: +358 9 547 761
Fax: +358 9 547 77 71

FRANCE

ESAB France S.A.
Cergy Pontoise
Tel: +33 1 30 75 55 00
Fax: +33 1 30 75 55 24

GERMANY

ESAB GmbH
Solingen
Tel: +49 212 298 0
Fax: +49 212 298 204

GREAT BRITAIN

ESAB Group (UK) Ltd
Waltham Cross
Tel: +44 1992 76 85 15
Fax: +44 1992 71 58 03

ESAB Automation Ltd

Andover
Tel: +44 1264 33 22 33
Fax: +44 1264 33 20 74

HUNGARY

ESAB Kft
Budapest
Tel: +36 1 20 44 182
Fax: +36 1 20 44 186

ITALY

ESAB Saldatura S.p.A.
Mesero (Mi)
Tel: +39 02 97 96 81
Fax: +39 02 97 28 91 81

THE NETHERLANDS

ESAB Nederland B.V.
Utrecht
Tel: +31 30 248 59 22
Fax: +31 30 248 52 60

NORWAY

AS ESAB
Larvik
Tel: +47 33 12 10 00
Fax: +47 33 11 52 03

POLAND

ESAB Sp.z.o.o
Warszaw
Tel: +48 22 813 99 63
Fax: +48 22 813 98 81

PORTUGAL

ESAB Lda
Lisbon
Tel: +351 1 837 1527
Fax: +351 1 859 1277

SLOVAKIA

ESAB Slovakia s.r.o.
Bratislava
Tel: +421 7 44 88 24 26
Fax: +421 7 44 88 87 41

SPAIN

ESAB Ibérica S.A.
Alcobendas (Madrid)
Tel: +34 91 623 11 00
Fax: +34 91 661 51 83

SWEDEN

ESAB Sverige AB
Gothenburg
Tel: +46 31 50 95 00
Fax: +46 31 50 92 22

ESAB International AB

Gothenburg
Tel: +46 31 50 90 00
Fax: +46 31 50 93 60

SWITZERLAND

ESAB AG
Dietikon
Tel: +41 1 741 25 25
Fax: +41 1 740 30 55

North and South America

ARGENTINA

CONARCO
Buenos Aires
Tel: +54 11 4 753 4039
Fax: +54 11 4 753 6313

BRAZIL

ESAB S.A.
Contagem-MG
Tel: +55 31 3369 4333
Fax: +55 31 3369 4440

CANADA

ESAB Group Canada Inc.
Mississauga, Ontario
Tel: +1 905 670 02 20
Fax: +1 905 670 48 79

MEXICO

ESAB Mexico S.A.
Monterrey
Tel: +52 8 350 5959
Fax: +52 8 350 7554

USA

ESAB Welding & Cutting Products
Florence, SC
Tel: +1 843 669 44 11
Fax: +1 843 664 44 58

Asia/Pacific

CHINA

Shanghai ESAB A/P
Shanghai
Tel: +86 21 6539 7124
Fax: +86 21 6543 6622

INDIA

ESAB India Ltd
Calcutta
Tel: +91 33 478 45 17
Fax: +91 33 468 18 80

INDONESIA

P.T. Esabindo Pratama
Jakarta
Tel: +62 21 460 01 88
Fax: +62 21 461 29 29

MALAYSIA

ESAB (Malaysia) Snd Bhd
Selangor
Tel: +60 3 703 36 15
Fax: +60 3 703 35 52

SINGAPORE

ESAB Singapore Pte Ltd
Singapore
Tel: +65 861 43 22
Fax: +65 861 31 95

ESAB Asia/Pacific Pte Ltd

Singapore
Tel: +65 861 74 42
Fax: +65 863 08 39

SOUTH KOREA

ESAB SeAH Corporation
Kyung-Nam
Tel: +82 551 289 81 11
Fax: +82 551 289 88 63

UNITED ARAB EMIRATES

ESAB Middle East
Dubai
Tel: +971 4 338 88 29
Fax: +971 4 338 87 29

Representative offices

BULGARIA

ESAB Representative Office
Sofia
Tel/Fax: +359 2 974 42 88

EGYPT

ESAB Egypt
Dokki-Cairo
Tel: +20 2 390 96 69
Fax: +20 2 393 32 13

ROMANIA

ESAB Representative Office
Bucharest
Tel/Fax: +40 1 322 36 74

RUSSIA-CIS

ESAB Representative Office
Moscow
Tel: +7 095 937 98 20
Fax: +7 095 937 95 80

ESAB Representative Office

St Petersburg
Tel: +7 812 325 43 62
Fax: +7 812 325 66 85

Distributors

For addresses and phone numbers to our distributors in other countries, please visit our home page

www.esab.com



ESAB AB
SE-695 81 LAXÅ
SWEDEN
Phone +46 584 81 000

www.esab.com

